



CONTACT

Quality Leader in
Truck Attachments

- Drum handlers
- Self powered attachments
- Lifting devices and booms
- Wide load handling
- Recycling containers
- Premises cleaning
- Fall prevention cages
- Truck forks



Contact Attachments
 Mochdre Industrial Estate
 Newtown
 Powys
 SY16 4LE

tel : 01686 611200
 fax : 01686 611201

Maxi-Lift Jib

The ideal jib for high capacity fork trucks, lifting heavy loads at varying load centres.

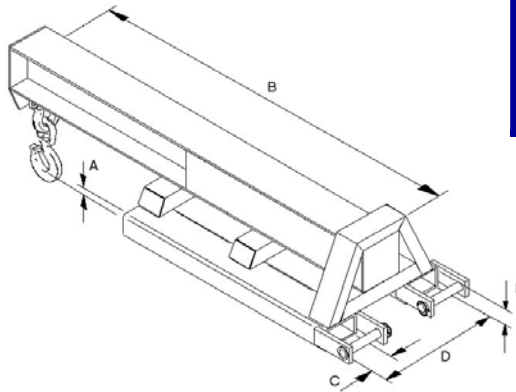


Use :-

A jib designed for a heavier range of fork truck for handling large unpalletised loads. Bar locked behind the fork heels for safety. Supplied c/w hook and shackle which can be moved to any suitable lifting position.

Model Ref.	Truck Capacity	'A' Hook Height	'B' Last Hole	'C' Max Fork Width	'D' Fork Spread	'F' Max Fork Thickness
FML600-5.5	6000 kg	329 mm	2000 mm	150 mm	650 mm	65 mm
FML600-6.5	7000 kg	329 mm	2000 mm	150 mm	650 mm	65 mm
FML600-7.4	8000 kg	314 mm	2500 mm	150 mm	650 mm	70 mm
FML600-9.2	10000 kg	349 mm	2500 mm	200 mm	800 mm	75 mm

Model Ref.	Weight	C of G
FML600-5.5	386 kg	845 mm
FML600-6.5	386 kg	845 mm
FML600-7.4	454 kg	1042 mm
FML600-9.2	482 kg	1016 mm



Model Ref.	Truck Capacity	Capacity (kg) at Load Centres (mm) shown								
		500	750	1000	1250	1500	1750	2000	2250	2500
600-5.5	6000 kg	-	-	-	2750	2400	2050	1650	-	-
600-6.5	7000 kg	-	-	-	3300	2900	2400	2100	-	-
600-7.4	8000 kg	-	-	-	-	3315	2750	2475	2000	1750
600-9.2	10000 kg	-	-	-	-	3730	3100	2790	2370	1900

Ordering Information :-

Truck Capacity?
 Fork Width, Thickness and Length?
 Details of load to be handled?
 Max Fork Spread?

www.forklift-attachments.co.uk
 email : sales@forklift-attachments.co.uk

Freephone
0800
028 3332

Call now for your personal
quote and further info

